



[I-21/65/2025-W&M Section]
GOVERNMENT OF INDIA/भारत सरकार
MINISTRY OF CONSUMER AFFAIRS, FOOD AND PUBLIC DISTRIBUTION
उपभोक्ता मामले, खाद्य एवं सार्वजनिक वितरण मंत्रालय
DEPARTMENT OF CONSUMER AFFAIRS/ उपभोक्ता मामले विभाग
LEGAL METROLOGY DIVISION/ विधिक मापविज्ञान प्रभाग

Krishi Bhawan, New Delhi /कृषि भवन, नई दिल्ली
Dated/दिनांक:- 20 .03.2025

Certificate of Approval of Model/ मॉडल का अनुमोदन प्रमाणपत्र

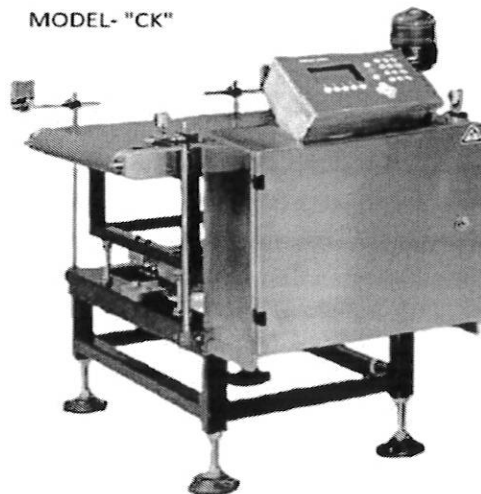
Whereas the Central Government, after considering the report submitted to it by prescribed authority, is satisfied that the model described in the said report (see the figure given below) is in conformity with the provisions of the Legal Metrology Act, 2009 (1 of 2010) and the Legal Metrology (Approval of Models) Rules, 2011 and the said model is likely to maintain its accuracy over periods of sustained use and to render accurate service under varied conditions;

Now, therefore, in exercise of the powers conferred by section 22 of the Legal Metrology Act, 2009 (1 of 2010) read with sub-rule (6) of rule 8 and sub-rule (4) of rule 11 of the Legal Metrology (Approval of Models) Rules, 2011, as per OIML R 51, the Central Government hereby issues the certificate of approval of the model of automatic catch weighing instrument (check weigher) belonging to accuracy class XIII(x), where x=1 of series "CK" and with brand name "METTLER TOLEDO" (hereafter in referred to as the said model), manufactured by M/s. Mettler-Toledo India Private Limited, Amar Hill, S.V. Road, Sakhi Vihar Road, Powai, Mumbai-400 072, Maharashtra and which is assigned the approval mark IND/09/25/ 87 (the picture of the model is given below as Figure 1);

Technical Data:

Type of instrument	Automatic Catch Weighing Instrument(Check Weigher)
Procedure Adopted for testing & Conformity	OIML R 51
Working Principle	Strain gauge type load cell based
Accuracy class	XIII(x), where class designation factor x=1,
Maximum capacity	30 kg
Minimum capacity	1500g
Scale interval (e)	5g
Belt Speed/Checking Frequency	60m/min & upto 60ppm
Belt Size/Load receptor	500mm X 800mm
Load Cell	Model : SLP 533; Accuracy class: C3; Make: Mettler Toledo, Capacity: 150kg; Type of load cell: Bending beam type strain gauge
Power Supply	230 V AC/440 V DC
Display	LCD

Figure 1





Written Description of Sealing Arrangement

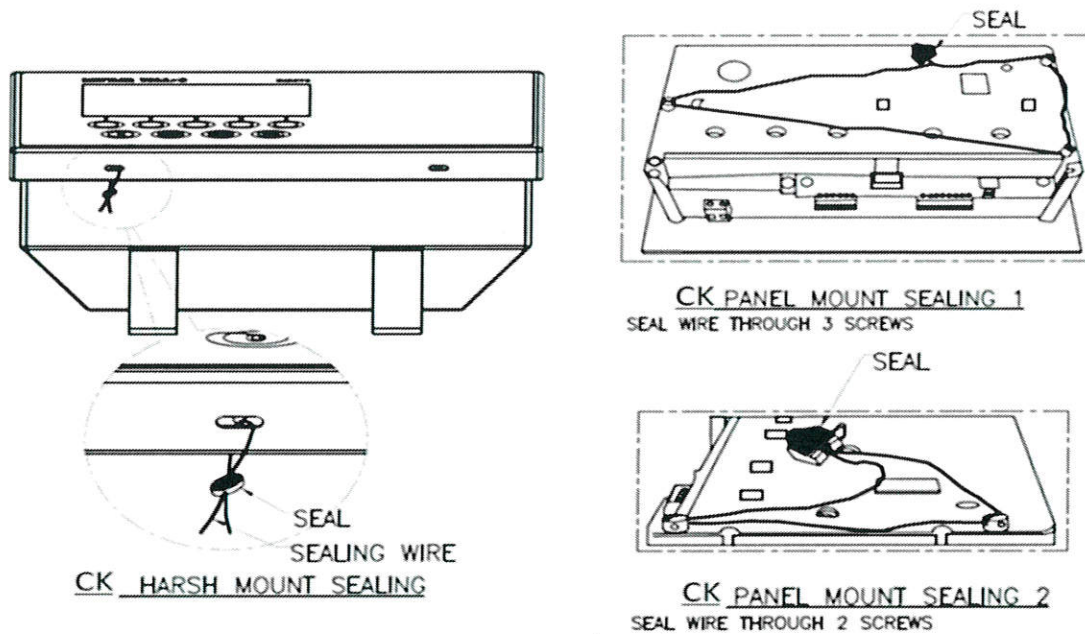


Figure 2

A typical schematic diagram of sealing provision to prevent the fraudulent practices of the model is given above as Figure 2. A dip switch has also been provided in mother board/PCB to disable access to external calibration.

Further, in exercise of the power conferred by sub-rule (9) of rule 8 of the Legal Metrology (Approval of Models) Rules, 2011, the Central Government hereby declares that this certificate of approval of the said model shall also cover the Automatic Catch Weighing Instrument (check weigher) of similar make, accuracy and performance of same series with maximum capacity up to 50 kg with number of verification scale interval (n) in the range of 500 to 10000 for 'e' value of 5g or more with 'e' value of 1×10^k , 2×10^k or 5×10^k , where k is a positive or negative whole number or equal to zero manufactured by the same manufacturer in accordance with the same principle, design and with the same materials with which, the said approved model has been manufactured..

[F.No. I-21/65/2025-W&M Section]

(Signature)

(Ashutosh Agarwal/आशुतोष अग्रवाल)
Director (Legal Metrology) to Govt. of India/ निदेशक (विधिक माप विज्ञान) भारत सरकार
Phone/दूरभाष 01123389489
Email/ई-मेल: dirwm-ca@nic.in

Online Application No. 18717